

400Hz MIL-PRF-27* Power Transformers

Specifications

Input Primary:

115 V AC, 400Hz ± 20 Hz, 1 Phase

“A” Option: 230 V AC, Add suffix “A” to model number, e.g., 4A5-50A.

“X” Option: Electrostatic shield grounded to core. Add “X” to model number, e.g., 4A5-50X.

Regulation:

10% or less no load to full load.

Secondary Voltage Tolerance:

Within 5% when measured at full load and listed input.

Dielectric Withstanding Voltage:

1500 VAC.

*Superseded MIL-T-27.

Efficiency:

Ranges from 85% to 93% typical.

Operating Ambient Temperature:

95°C maximum (Size 1 through 6)
70°C maximum (Size 7)

Construction:

To MIL-PRF-27F* Grade 5, Class S.

Environment:

Encapsulated to meet MIL-STD 810, including vibration, shock, sand, dust humidity, saltspray, fungus, sunshine, rain, explosion, and altitude (to a vacuum). NOTE: For high altitude operation, encapsulate terminals.



Output Secondary:

See output voltage and current of specific models listed.

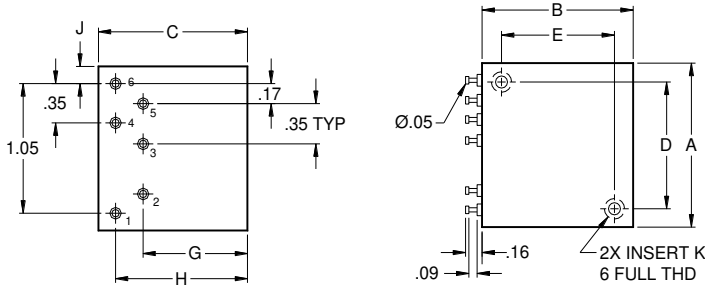
Other outputs and/or inputs available upon request.

Dimensions

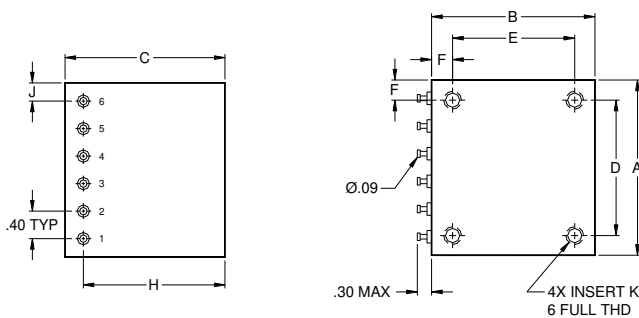
Size	A	B	C	D	E	F	G	H	J	K
1	1.37	1.25	1.31	1.00	.87	.19	1.00	1.19	.16	4-40
2	1.50	1.37	1.37	1.12	1.00	.19	1.06	1.25	.22	4-40
3	1.75	1.50	1.56	1.25	1.00	.25	1.25	1.44	.35	6-32
4	2.00	1.62	1.81	1.50	1.12	.25	1.50	1.69	.47	6-32
5	2.43	2.00	2.10	1.93	1.50	.25	—	1.90	.21	6-32
6	2.81	2.12	2.43	2.21	1.52	.30	—	2.23	.40	8-32
7	2.81	2.25	2.43	2.21	1.65	.30	—	2.23	.40	8-32

Dimension tolerance = ±.02, except F, G, H, J = ±.04

Mechanical Drawings



Sizes 1 through 4



Sizes 5 through 7

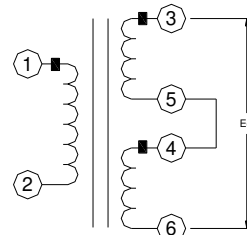
Circuit Diagram

Basic Circuit

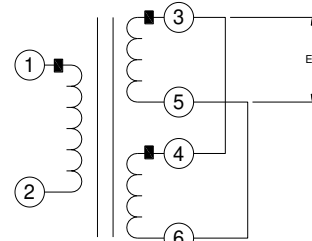
Series: Connect 4 and 5

Parallel: Connect 5 and 6

Load: 3 and 6



SERIES CONNECTED



PARALLEL CONNECTED



Call us toll-free **1-800-367-8200**

MAIN OFFICE:

8203 Vineland Avenue, Sun Valley, CA 91352 – 818-504-0644 – FAX: 818-768-0395

Visit our website at www.abbott-tech.com and online quote form at sales@abbott-tech.com.

400Hz MIL-PRF-27* Power Transformers

Output Volts (F.L.)	Parallel Connection	Series Connection	Size	Weight Lbs. (Typ)	Model No.	QPL No.
5 V Parallel 10 VCT Series	1.40	0.70	1	.26	4A5-7	M27/332-01
	2.00	1.00	2	.30	4A5-10	M27/333-01
	5.00	2.50	3	.47	4A5-25	M27/334-01
	8.00	4.00	4	.77	4A5-40	M27/335-01
	24.00	12.00	5	1.6	4A5-120	M27/336-01
	30.00	15.00	6	2.0	4A5-150	M27/337-10
6.3 V Parallel 12.6 VCT Series	1.11	0.55	1	.26	4A6-7	M27/332-02
	1.58	0.79	2	.30	4A6-10	M27/333-02
	4.00	2.00	3	.47	4A6-25	M27/334-02
	8.00	4.00	4	.77	4A6-50	M27/335-02
	19.00	9.50	5	1.6	4A6-120	M27/336-02
	23.80	11.90	6	2.0	4A6-150	M27/337-02
	31.70	15.85	7	2.2	4A6-200	M27/337-11
8 V Parallel 16 VCT Series	0.87	0.43	1	.26	4A8-7	M27/332-03
	1.25	0.62	2	.30	4A8-10	M27/333-03
	3.12	1.56	3	.47	4A8-25	M27/334-03
	6.24	3.12	4	.77	4A8-50	M27/335-03
	15.00	7.50	5	1.6	4A8-120	M27/336-03
	18.70	9.35	6	2.0	4A8-150	M27/337-03
	25.00	12.50	7	2.2	4A8-200	M27/337-12
10 V Parallel 20 VCT Series	0.70	0.35	1	.26	4A10-7	M27/332-04
	1.00	0.50	2	.30	4A10-10	M27/333-04
	2.50	1.25	3	.47	4A10-25	M27/334-04
	5.00	2.50	4	.77	4A10-50	M27/335-04
	12.00	6.00	5	1.6	4A10-120	M27/336-04
	15.00	7.50	6	2.0	4A10-150	M27/337-04
	20.00	10.00	7	2.2	4A10-200	M27/337-13
12 V Parallel 24 VCT Series	0.58	0.29	1	.26	4A12-7	M27/332-05
	0.84	0.42	2	.30	4A12-10	M27/333-05
	2.08	1.04	3	.47	4A12-25	M27/334-05
	4.16	2.08	4	.77	4A12-50	M27/335-05
	10.00	5.00	5	1.6	4A12-120	M27/336-05
	12.50	6.25	6	2.0	4A12-150	M27/337-05
	16.70	8.35	7	2.2	4A12-200	M27/337-14
17 V Parallel 34 VCT Series	0.41	0.20	1	.26	4A17-7	M27/332-06
	0.58	0.29	2	.30	4A17-10	M27/333-06
	1.47	0.73	3	.47	4A17-25	M27/334-06
	2.94	1.47	4	.77	4A17-50	M27/335-06
	7.06	3.53	5	1.6	4A17-120	M27/336-06
	8.82	4.41	6	2.0	4A17-150	M27/337-06
	11.80	5.90	7	2.2	4A17-200	M27/337-15
20 V Parallel 40 VCT Series	0.35	0.17	1	.26	4A20-7	M27/332-07
	0.50	0.25	2	.30	4A20-10	M27/333-07
	1.25	0.62	3	.47	4A20-25	M27/334-07
	2.50	1.25	4	.77	4A20-50	M27/335-07
	6.00	3.00	5	1.6	4A20-120	M27/336-07
	7.50	3.75	6	2.0	4A20-150	M27/337-07
	10.00	5.00	7	2.2	4A20-200	M27/337-16
28 V Parallel 56 VCT Series	0.25	0.12	1	.26	4A28-7	M27/332-08
	0.35	0.17	2	.30	4A28-10	M27/333-08
	0.89	0.44	3	.47	4A28-25	M27/334-08
	1.78	0.89	4	.77	4A28-50	M27/335-08
	4.28	2.14	5	1.6	4A28-120	M27/336-08
	5.36	2.68	6	2.0	4A28-150	M27/337-08
	7.14	3.57	7	2.2	4A28-200	M27/337-17
44 V Parallel 88 VCT Series	0.15	0.07	1	.26	4A44-7	M27/332-09
	0.22	0.11	2	.30	4A44-10	M27/333-09
	0.56	0.28	3	.47	4A44-25	M27/334-09
	1.12	0.56	4	.77	4A44-50	M27/335-09
	2.72	1.36	5	1.6	4A44-120	M27/336-09
	3.40	1.70	6	2.0	4A44-150	M27/337-09
	4.54	2.27	7	2.2	4A44-200	M27/337-18
60 V Parallel 120 VCT Series	0.11	0.05	1	.26	4A60-7	M27/332-10
	0.16	0.08	2	.30	4A60-10	M27/333-10
	0.41	0.20	3	.47	4A60-25	M27/334-10
	0.82	0.41	4	.77	4A60-50	M27/335-10
	2.00	1.00	5	1.6	4A60-120	M27/336-10
	2.50	1.25	6	2.0	4A60-150	M27/337-10
	3.53	1.66	7	2.2	4A60-200	M27/337-19