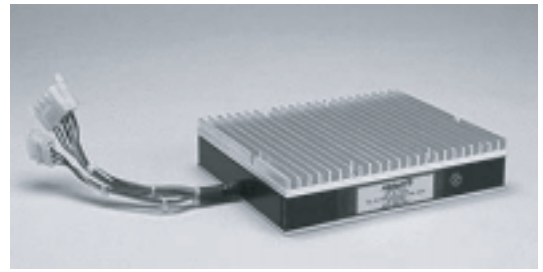


- NOMINAL 36 VDC INPUT (STANDARD LRV POWER BUS)
- WIDE INPUT RANGE
- 2 TO 1 SURGE CAPABILITY
- HIGH ISOLATION PROTECTION
- RUGGED CONSTRUCTION
- WIDE TEMPERATURE RANGE



## SPECIFICATIONS

DC INPUT : 25-49.6 VDC. Nominal input 36 VDC.

EFFICIENCY : 70% minimum or greater .

LINE AND LOAD REGULATION: The unit maintains the output voltages within  $\pm 5\%$  for load currents between minimum and maximum load over the full operating input voltage range.

OUTPUT VOLTAGES AND LOAD CURRENTS:

- + 5.0 VDC: 0.3 A min; 8.0 A max
- + 12.0 VDC: 0.2 A min; 7.0 A max
- 12.0 VDC: 0.1 A min; 1.0 A max

INPUT RIPPLE : 2.0 VRMS at 60 Hz.

OUTPUT VOLTAGE RIPPLE:

- + 5.0 VDC Output: 100 mV peak-to-peak, 20 MHz bandwidth
- $\pm 12.0$  VDC Output: 200 mV peak-to-peak, 20 MHz bandwidth

OUTPUT CURRENT: 150 Volt-Amperes, with a two-second surge capacity of 300 Volt-Amperes.

OPERATING TEMPERATURE RANGE:

- Operating:  $-22^{\circ}\text{C}$  ( $-7^{\circ}\text{F}$ ) to  $+65^{\circ}\text{C}$  ( $+149^{\circ}\text{F}$ ).
- Non-Operating:  $-25^{\circ}\text{C}$  ( $-13^{\circ}\text{F}$ ) to  $+80^{\circ}\text{C}$  ( $+176^{\circ}\text{F}$ ).

INPUT LOADING: 181 Watts max while delivering maximum output currents.

ISOLATION: The isolation between ground and each of the input and output lines is capable of passing a hi-pot test where 1075 V AC, 60 Hz is applied for one minute.

OUTPUT CURRENT LIMITING: The unit provides protection against overloads and short circuits. No damage results from any overload condition. The unit automatically returns to full rated operation within three seconds upon removal of the overload condition. Peak currents are limited to 12A max.

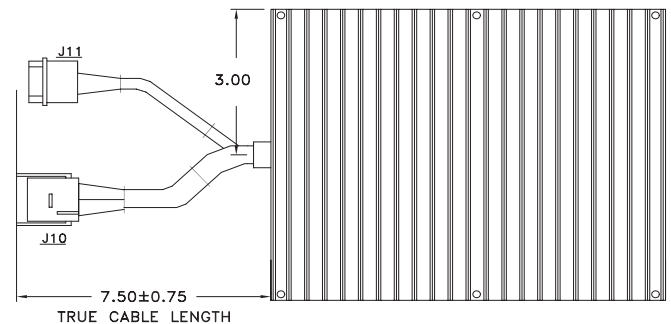
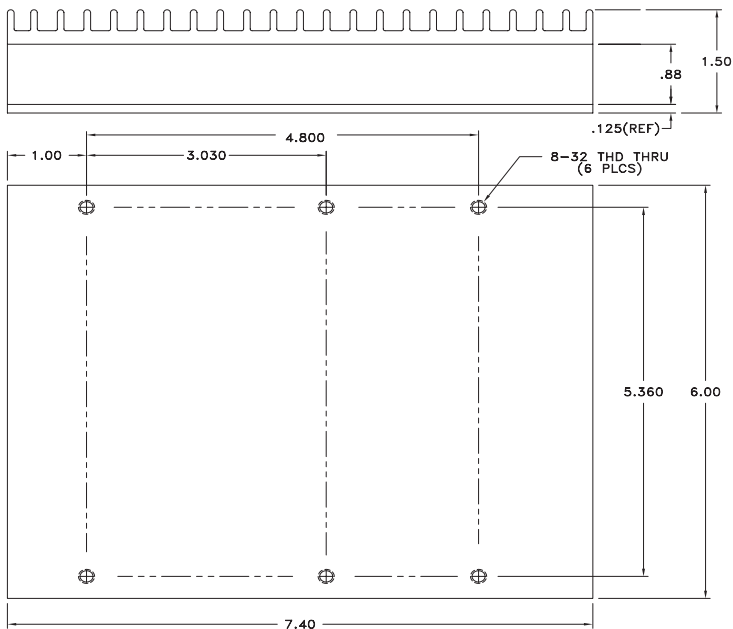
SHORT CIRCUIT PROTECTION: The unit provides protection against overloads and short-circuits. No damage results from any overload condition. The unit automatically returns to full rated operation within three seconds upon removal of the overload condition.

OVER VOLTAGE PROTECTION: The unit is protected electronically from an overvoltage condition on the  $\pm 5.0$  VDC and  $+12.0$  VDC outputs. Input power to the unit may need to be removed and re-applied to resume unit operation.

VOLTAGE POLARITY: Accidental reversal of the input voltage polarity does not damage the unit when the unit is protected by a 15-Ampere fuse or circuit breaker at the power source.

WEIGHT : 3.5 lbs max.

## MECHANICAL DIMENSIONS



J11: INPUT 4 PIN  
 1: +INPUT  
 2: INPUT RETURN  
 3: 5V RETURN  
 4: SPARE

J10: OUTPUT 12 PIN  
 1: +5V  
 2: +5V  
 4: -12V  
 5: 5V RETURN  
 7: +12V  
 8: 5V RETURN  
 9: AUX RETURN  
 10: +12V  
 11: AUX RETURN  
 12: -12V