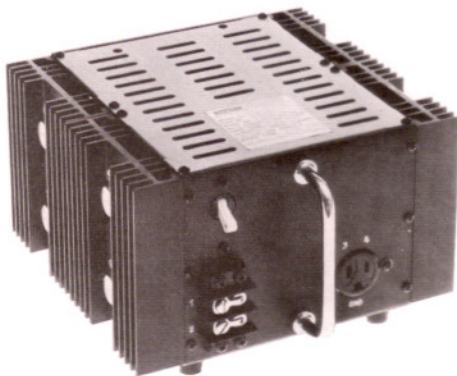




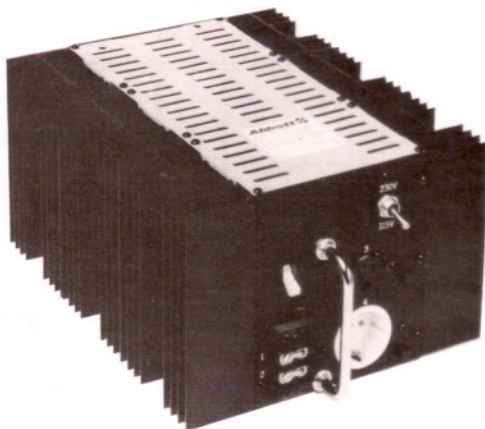
Sine Wave Inverters

**60 Hz 115 AC and 50 Hz 220 AC
30 to 320 VA OUTPUT 11 to 54 VDC INPUT**



Standard Models: KN, PN, LN, TN
(Cases K2, F2, J2)

Abbott's sine wave inverters convert dc battery power to regulated clean ac. They are used to provide uninterrupted power to operate computers, motors, lamps, digital processors, TV broadcast equipment and telecommunication electronics. Our inverters have become the industry standard by providing dependable performance in such rugged applications as marine radar, railway signal and communications, security electronics, and mobile test equipment.



- **LOW DISTORTION.** 5% maximum.
- **EXCEPTIONAL RELIABILITY.** Typical MTBF: 90,586 hours for model LN8.
- **SURGE CURRENT CAPABILITIES** up to 3 times rated output power.
- **HIGH EFFICIENCY** provided by sine wave. Conserves power.
- **SWITCHABLE** 115 vac 60 Hz / 230 vac 50 Hz.
- **WIDE TEMPERATURE RANGE:** -20°C to +55°C ambient operation.
- **SAVES MOTORS** by reducing overheating.
- **TWO-YEAR WARRANTY.**

11 to 15 VDC Input

Output Power (VA)	Case	Weight (Lbs.)	Single Output 115 vac 60 Hz	Single Output 220 vac 50 Hz	Switchable Output 115V 60 Hz/220V 50 Hz
30	K2	16	KN3T-115-60	KN3T-220-50	KN3T-50/60
30	G2	27	KS3R-115-60	KS3R-220-50	—
60	F2	18	KN6T-115-60	KN6T-220-50	KN6T-50/60
60	G2	27	KS6R-115-60	KS6R-220-50	—
120	J2	30	KN12T-115-60	KN12T-220-50	KN12T-50/60

22 to 30 VDC Input

Output Power (VA)	Case	Weight (Lbs.)	Single Output 115 vac 60 Hz	Single Output 220 vac 50 Hz	Switchable Output 115V 60 Hz/220V 50 Hz
60	K2	16	PN6T-115-60	PN6T-220-50	PN6T-50/60
60	G2	27	PS6R-115-60	PS6R-220-50	—
120	F2	18	PN12T-115-60	PN12T-220-50	PN12T-50/60
120	G2	27	PS12R-115-60	PS12R-220-50	—
240	J2	30	PN24T-115-60	PN24T-220-50	PN24T-50/60

29 to 38 VDC Input

Output Power (VA)	Case	Weight (Lbs.)	Single Output 115 vac 60 Hz	Single Output 220 vac 50 Hz	Switchable Output 115V 60 Hz/220V 50 Hz
80	K2	16	LN8T-115-60	LN8T-220-50	LN8T-50/60
80	G2	27	LS8R-115-60	LS8R-220-50	—
160	F2	18	LN16T-115-60	LN16T-220-50	LN16T-50/60
160	G2	27	LS16R-115-60	LS16R-220-50	—
320	J2	30	LN32-T-115-60	LN32T-220-50	LN32T-50/60

42 to 54 VDC Input

Output Power (VA)	Case	Weight (Lbs.)	Single Output 115 vac 60 Hz	Single Output 220 vac 50 Hz	Switchable Output 115V 60 Hz/220V 50 Hz
80	K2	16	TN8T-115-60	TN8T-220-50	TN8T-50/60
80	G2	27	TS8R-115-60	TS8R-220-50	—
160	F2	18	TN16T-115-60	TN16T-220-50	TN16T-50/60
160	G2	27	TS16R-115-60	TS16R-220-50	—
320	J2	30	TN32T-115-60	TN32T-220-50	TN32T-50/60



Main Sales Office: 639 S. Glenwood Place, Burbank, CA 91506, (818) 841-3630, FAX (818) 954-9305
Eastern Sales Office: 321 Commercial Avenue, Suite 104, Palisades Park, NJ 07650, (201) 461-4005, FAX (201) 461-6323

SPECIFICATIONS

INPUT VOLTAGE RANGE:

KN, KS: 11 to 15 vdc
 PN, PS: 22 to 30 vdc
 LN, LS: 29 to 38 vdc
 TN, TS: 42 to 54 vdc

OUTPUT VOLTAGE: 115 or 220 Vac $\pm 2\%$ at full load and nominal input voltage. Other voltage available including 26, 28, 100 VAC.

OUTPUT FREQUENCY: 50 Hz to 60 Hz, ± 1 Hz. Other frequencies: 90, 100, 400 Hz optional at extra cost.

EFFICIENCY: At full load with nominal input voltage.
 40% minimum on KN, KS
 50% minimum on PN, PS
 58% minimum on LN, LS
 60% minimum on TN, TS

LINE REGULATION: 3% for specified input voltage range with load constant.

LOAD REGULATION: 3% for load change of half load to full load with line constant; 6% for change of no load to full load.

WAVE FORM: Sine wave with 2% distortion typical, 5% distortion maximum.

POWER FACTOR: Fully rated output VA, from unity to 0.7 power factor lagging or leading.

INPUT TRANSIENT PROTECTION: 45 vdc for 0.1 second transient deviation and recovery (for change of 50%) of rated (load).

OPERATING TEMPERATURE RANGE: (KN, PN, LN and TN):
 -4°F to +131°F (-20°C to +55°C) ambient air temperature.
 Humidity 0 to 90% (non-condensing) at 25°C.

OPERATING TEMPERATURE RANGE: (KS, PS, LS and TS):
 -4°F to +131°F (-20°C to +55°C) ambient air temperature.
 Humidity 0 to 100%.

ALTITUDE: 10,000 feet above sea level (KN, PN, LN, TN).
 50,000 feet above sea level (KS, PS, LS, TS).

PROTECTIVE FEATURES

OVERLOAD PROTECTION: Magnetic type circuit breaker.
 Reverse polarity protection.

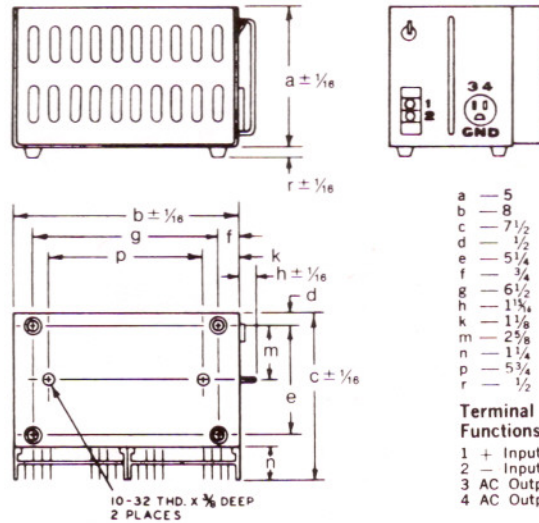
HIGH RELIABILITY

Model LN8T-115-60: MTBF 90,586 hours at 25°C ambient, ground benign environment per MIL-HDBK-217C. Model TN8T-115-60: MTBF 74,733 hours at 50°C ambient.

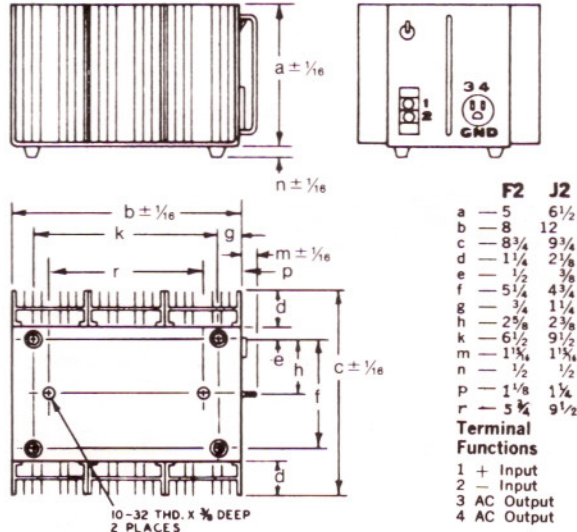
2-YEAR WARRANTY / ALL MODELS.

DIMENSIONS

Case K2 Mechanical Dimensions (inches)



Case F2, J2 Mechanical Dimensions (inches)



Case G2 Mechanical Dimensions (inches)

