

# 200 Watt AC-DC Switchers Enhanced EMI Performance

- Power Factor Correction
- Fully compliant with MIL-STD-461E, CE101, and CE102
- Meets MIL-S-901 (High Impact Shock)
- Meets MIL-STD-810F
- FCC 20780 class A EMI compliance
- Sealed to meet IP65 (IP67 option available)
- Condensing environment option available

## Specifications

### AC Input:

95-260 VAC, 47-880Hz, single phase. Power factor corrected. Meets MIL-STD-1399, Section 300, type 1 requirements.

### Efficiency:

80% minimum.

### Line Regulation:

±1% of nominal over the full range of line input voltage.

### Load Regulation:

±1% for change from no load to full load.

### Ripple and Noise:

Peak-to-peak combined ripple and noise does not exceed 2% of nominal on the output measured with a 20MHz bandwidth.

### Temperature Range:

Storage: -50°C to +85°C.  
Operating temperature: -40°C to +70°C baseplate with no power derating.

### Isolation:

Input to output: 1500 VDC

Input to case: 1500 VDC

Output to case: 500 VDC

### Circuit Protection:

Each unit is completely protected against a short circuit of any duration. The current is nominally set at 120% of full load. The output voltage automatically restores to normal when the short is removed.

### Input Protection:

Internal fuse; In-rush current limiting; Transient protection

### Remote Error Sensing:

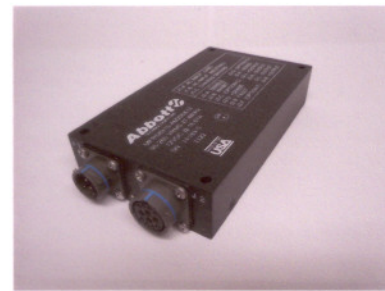
Standard.

### Control Features:

"INHIBIT," "ENABLE"  
(TTL LOW=TRUE).

### Built-in Test Feature:

OUTPUT FAULT ALARM  
(TTL LOW=FAULT).



### Reliability:

MTBF 109,000 hours calculated per MIL-HDBK-217F in naval sheltered environment.

### Electromagnetic Compatibility:

Meets the following MIL-STD-461E requirements: CE101, CE102.

**Weight:** 2 lbs typical.

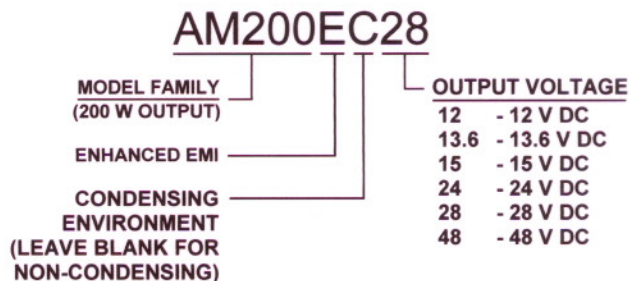
### Environmental Conditions:

**Shock test:** Unit meets MIL-S-901 requirements (light weight).

**Vibration test:** Unit meets MIL-STD-167, type 1 requirements.

**Humidity:** Power supply operates without any evidence of degraded performance in non-condensing relative humidity up to 95% (Select "C" option for 100% condensing environment).

## Model Number System



## Maximum Output Current Ratings

OUTPUT VOLTAGE	200W UNIT
12V	16.66A
13.6V	14.7A
15V	13.33A
24V	8.33A
28V	7.14A
48V	4.17A

Specifications subject to change without notice.



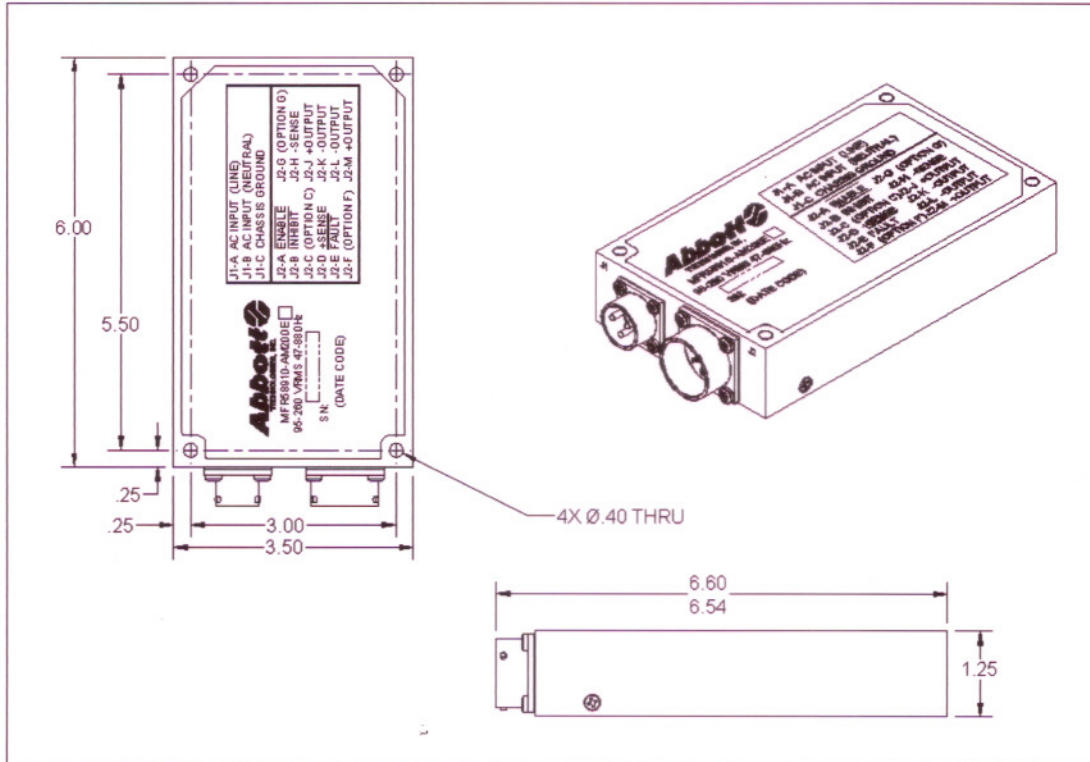
Call us toll-free **1-800-367-8200**

8203 Vineland Avenue, Sun Valley, CA 91352 – 818-504-0644 – FAX: 818-768-0395  
Visit our website at [www.abbott-tech.com](http://www.abbott-tech.com)

Email: [sales@abbott-tech.com](mailto:sales@abbott-tech.com)

# 200 Watt AC-DC Switchers

## MECHANICAL DIMENSIONS (STANDARD MODEL)



Call us toll-free **1-800-367-8200**

8203 Vineland Avenue, Sun Valley, CA 91352 – 818-504-0644 – FAX: 818-768-0395  
Visit our website at [www.abbott-tech.com](http://www.abbott-tech.com)

Email: [sales@abbott-tech.com](mailto:sales@abbott-tech.com)